

AYLESBURY

Toilet Tissue Holder **34-28**

Features

- Solid brass construction
- Double-post design with spring-loaded roller
- Complements Aylesbury product series

Codes / Standards Compliance

Meets or exceeds the following at date of manufacture:

- All applicable US Federal and State material regulations



Colors / Finishes

- 10B: Oil Rubbed Bronze
- 15: Polished Nickel
- 15S: Satin Nickel - PVD
- 26: Polished Chrome
- Other: Refer to the Newport Brass catalog for additional color/finish options.

Specified Model

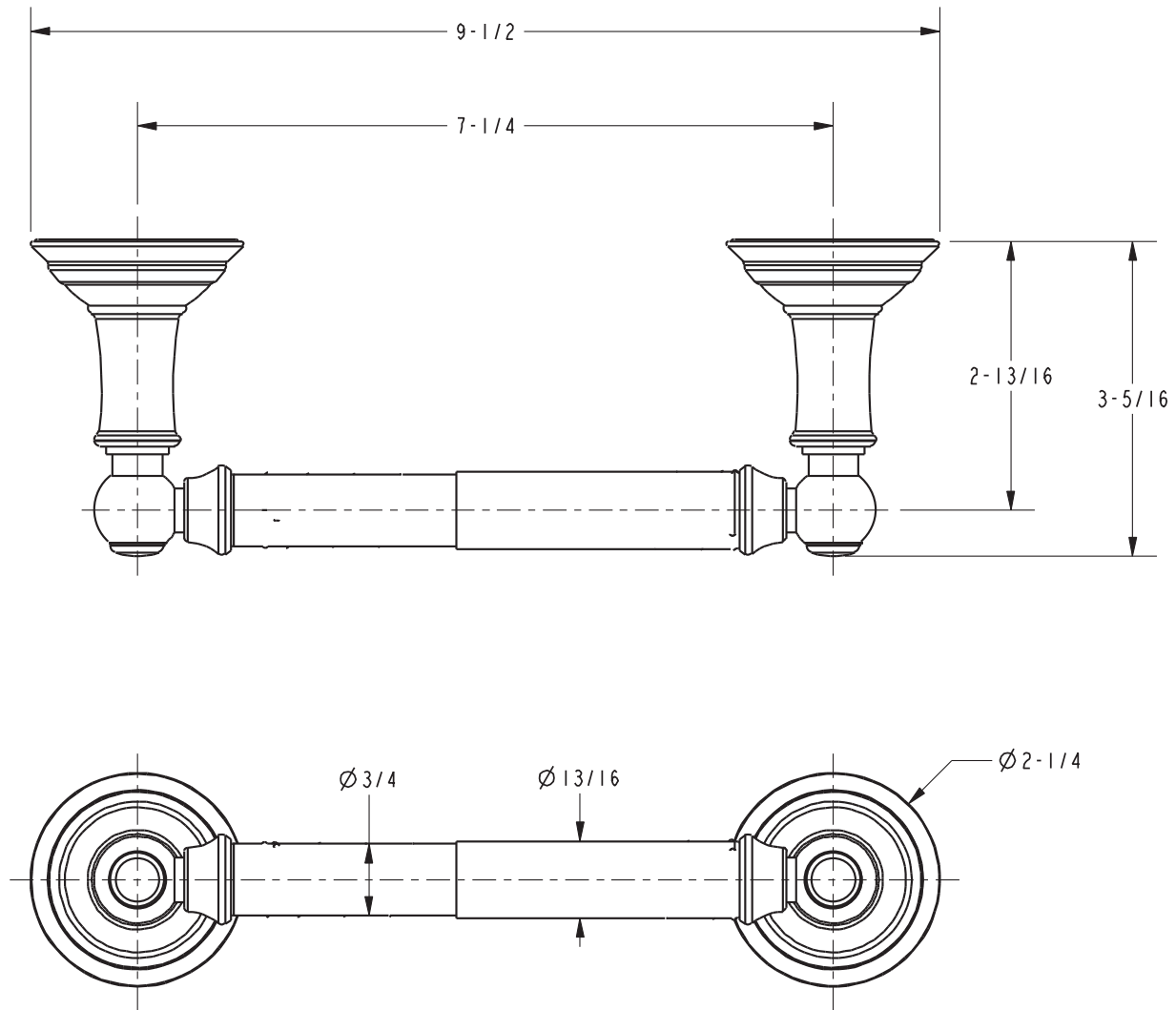
Model	Description	Colors Finishes
34-28	Toilet Tissue Holder	<input type="checkbox"/> 10B <input type="checkbox"/> 15 <input type="checkbox"/> 15S <input type="checkbox"/> 26 <input type="checkbox"/> Other

Product Specification: Add "Color / Finish" suffix to Model number, below.

The Toilet Tissue Holder shall be made of solid brass construction and incorporate a double-post, spring-loaded roller design. Toilet Tissue Holder shall complement Newport Brass Aylesbury product series. Toilet Tissue Holder shall be Newport Brass Model 34-28/_____.

34-28

PRODUCT DIMENSIONS *(Units are in inches)*



Aylesbury Toilet Tissue Holder 34-28